

XMODS™ Custom RC Body Kits

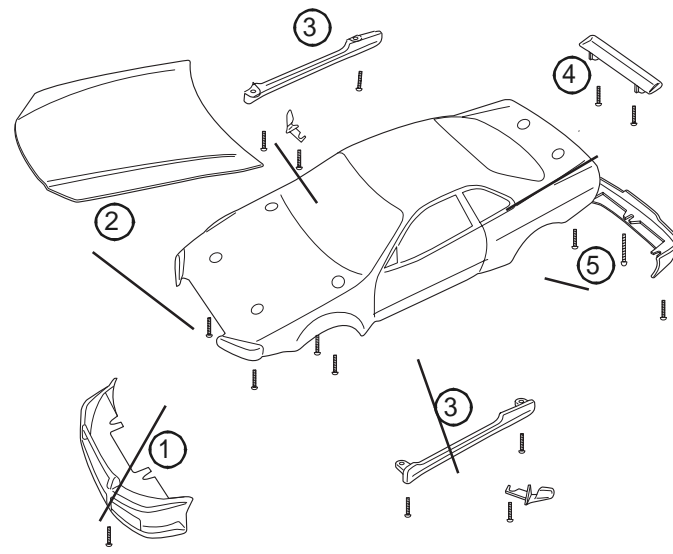
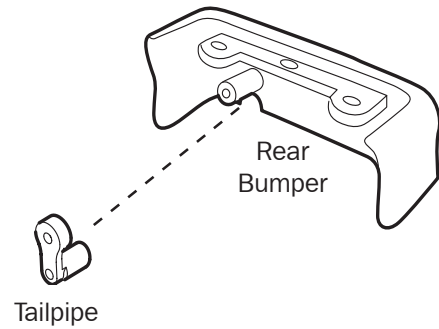
The XMODS™ Custom RC body kits provide the opportunity to customize the body of your car with skirts, tailpipe, bumpers, hood and spoilers. You can also change the controller's steering wheel.

60-8513
60-8514
60-8515
60-8516
60-8517
60-8518

1

Assemble the upgrade body parts in the order listed below.

- 1) Replace the front bumper.
- 2) Replace the hood.
- 3) Replace the left and right side body skirts.
- 4) Install or replace the spoiler.
- (See p.2 for specific instructions about installing the spoiler on the Acura and Civic body tops.)
- 5) Screw the tailpipe to the new rear bumper and replace the bumper.

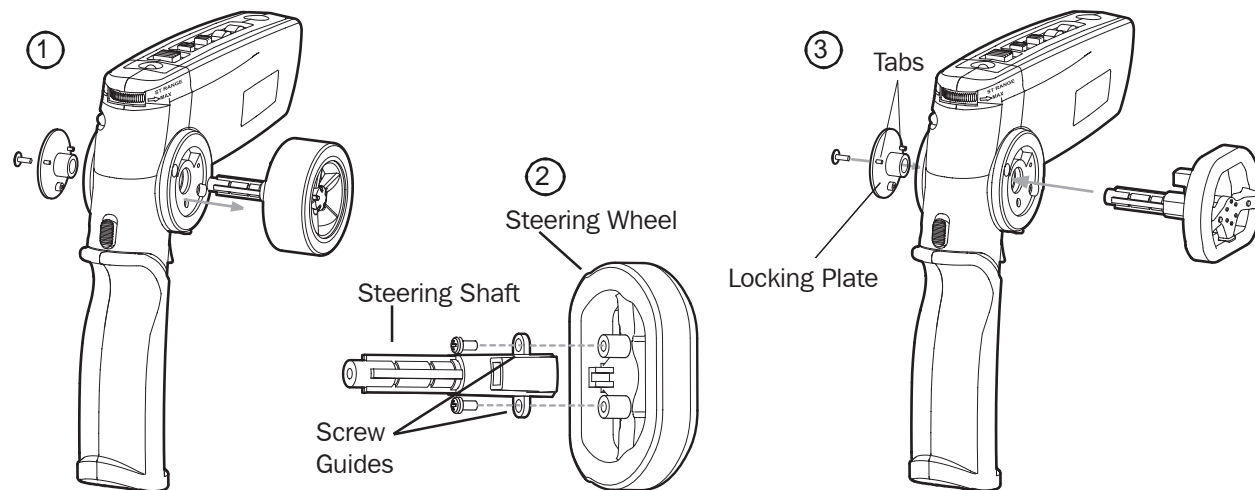


CAUTION: Overtightening the screws can strip the screw holes.

60-8513 and 60-8514 include two extra screws which are slightly longer than the other two screws included in each kit. When installing the spoiler for 60-8513 and 60-8514, use the longer screws.

2

Install the controller's new steering wheel.



- 1) Remove the screw from your controller's locking plate.
- 2) Affix the steering shaft to the upgrade steering wheel with two screws.
- 3) Align and insert the steering shaft into the controller.
Align tabs on the locking plate and affix with the original screw.



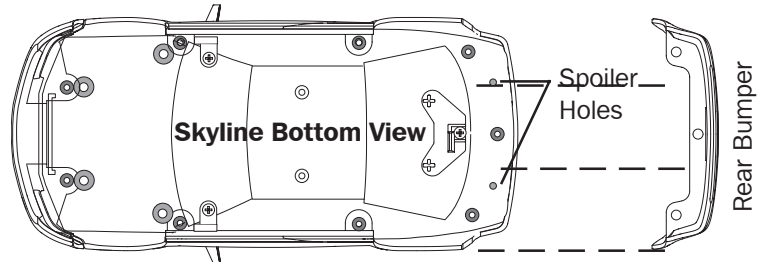
www.xmodsRC.com

3

Installing the Spoiler.

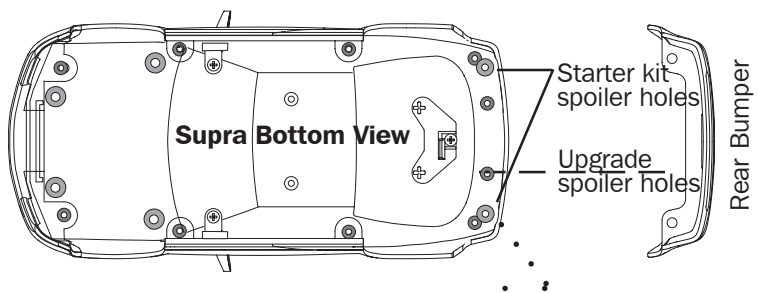
Installing the Spoiler on the Skyline

- 1) Remove the Starter Kit spoiler.
- 2) Select the spoiler you want to install and align it with the matching holes underneath the body top.
- 3) Screw the spoiler to the body from below the body.



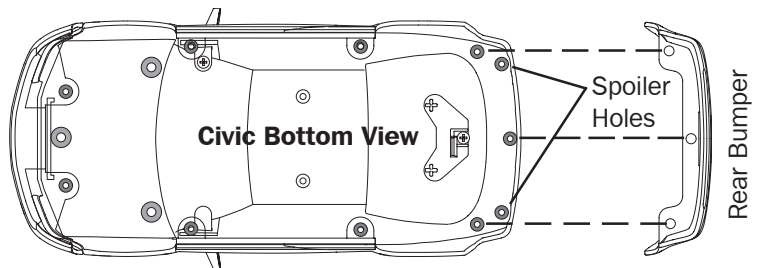
Installing the Spoiler on the Supra

- 1) Remove the Starter Kit spoiler.
- 2) If the spoiler aligns to an undrilled set of marks, drill a 2mm hole in each mark.*
- 3) Screw the spoiler to the body from below the body using the holes that line up with the desired spoiler.



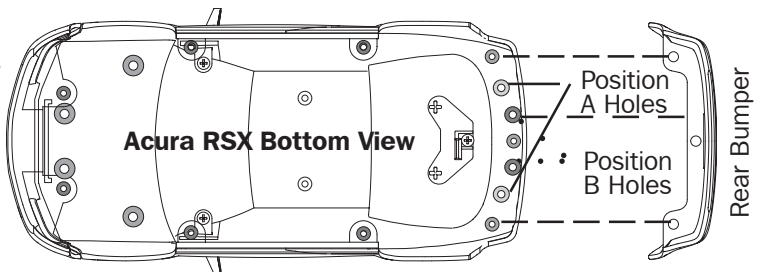
Installing the Civic Spoiler

- 1) Drill a 2mm hole in the body in the center of each mark.*
- 2) Screw the spoiler to the body from below the body.



Installing the Acura RSX Spoiler

- 1) Select the spoiler you want to install.
- 2) Align the spoiler to the matching screw marks on the underside of the body.
- 3) If the spoiler aligns to an undrilled set of marks, drill a 2mm hole in each mark.*
- 4) Screw the spoiler to the body from below the body using the holes that line up with the desired spoiler.



*** When you purchase an XMODS Tool Kit, 60-8519, you will receive a hand drill you can use to drill new spoiler holes.**



©2003 RadioShack Corporation
All Rights Reserved.
RadioShack and RadioShack.com are trademarks
used by RadioShack Corporation.

www.xmodsRC.com

Printed in China