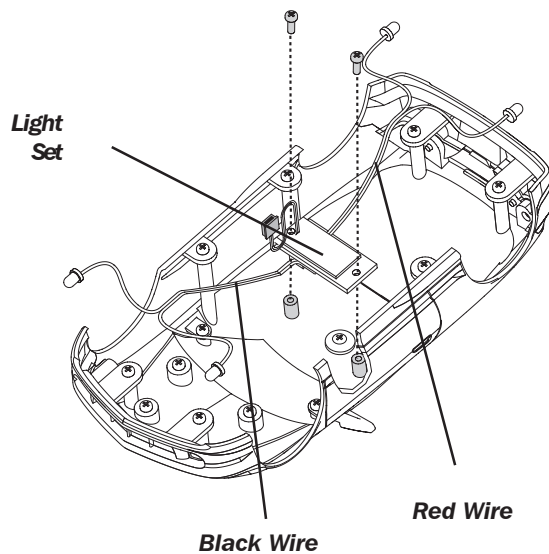


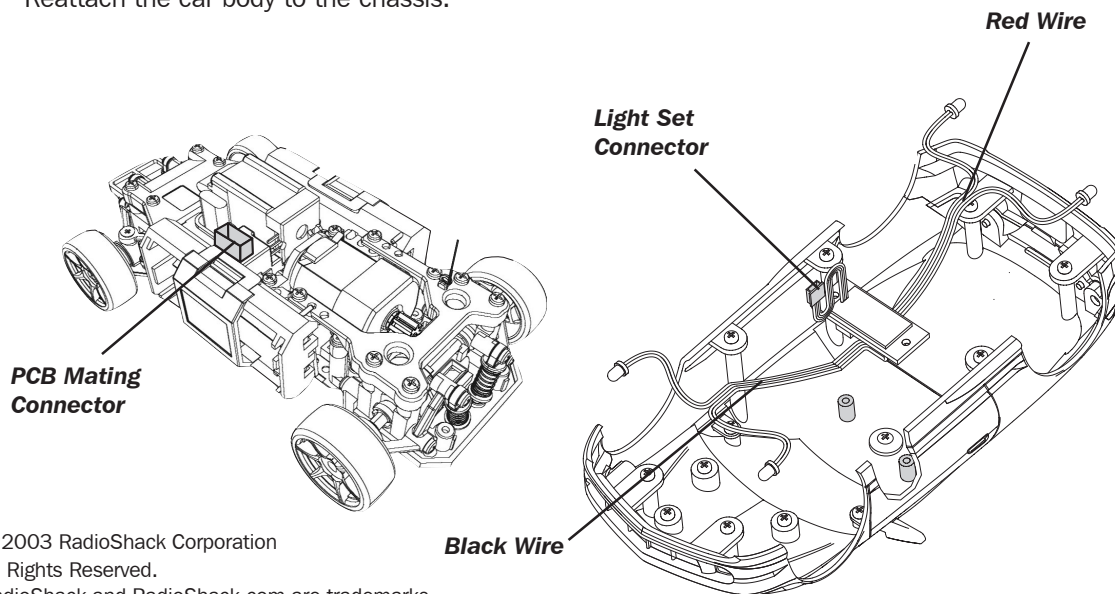
## **XMODS™ Custom RC Command Logic™ Lights 60-8509**

Light up your car with operating headlights and taillights. This kit includes one light set with headlights and taillights, and four screws (two spare screws). The headlights brighten when your car moves forward, backward, or when you apply the brakes. The taillights brighten when you apply the brakes. In other situations, the headlights and taillights remain dim. Before installing, turn off your vehicle and controller, and detach the car body.

1. Attach the **light set** to the car body with two of the supplied **screws**. Store the other **screws** in a safe place for later use, if needed.



2. Insert the **lights** on the end of the **red wire** (taillights) into the holes at the rear of the car body, and insert the **lights** on the end of the **black wire** (headlights) into the holes at the front of the car body. For secure placement, use adhesive tape to attach the wires to the car body.
3. Attach the **light set connector** to the car's **PCB mating connector**.
4. Reattach the car body to the chassis.



©2003 RadioShack Corporation  
All Rights Reserved.  
RadioShack and RadioShack.com are trademarks  
used by RadioShack Corporation.

