

Contents

XMODS Custom RC Starter Kit	2
Your Custom RC Starter Kit Includes	3
Assembling Your XMODS Custom RC	4
Assembling the Wheels	4
Installing Batteries in the Chassis	5
Assembling the Antenna	6
Redistributing the Car's Weight	6
Assembling the Car Body	7
Mounting the Body on the Chassis	8
Setting Up the Controller	9
Installing the Battery	10
Changing the Steering Control for the Left Hand	11
Driving Your Car	13
Steering Wheel	13
Speed Control	13
Fine Tuning	14
When You Finish Driving	15
Optional Upgrades	17
Care	19
The FCC Wants You to Know	19
Warranty	20



XMODS™ Custom RC Starter Kit

XMODS offers you the ultimate radio control racing experience. Street smart looks meet precision performance in a custom car just begging to be tuned — by you. Your starter kit includes the following features...

- A full set of factory parts to assemble your car.
- A digital proportional radio controller with built-in steering and throttle trims for precision driving under varying track conditions.
- A switchable controller for left- and right-handed drivers.
- A collapsible radio controller for easy carrying and storage.
- Redistributable weight so you can optimize driving performance and handling.

To really get your motor running, customize your XMODS with optional upgrade for both performance and looks, available at your local RadioShack store. Check out the line-up of XMODS upgrades online at www.xmodsRC.com.

CAT. NO. 60-8001/8002/8003/8004/8005/8006

©2003. RadioShack Corporation. All rights reserved.
XMODS is a trademark of RadioShack Corporation.

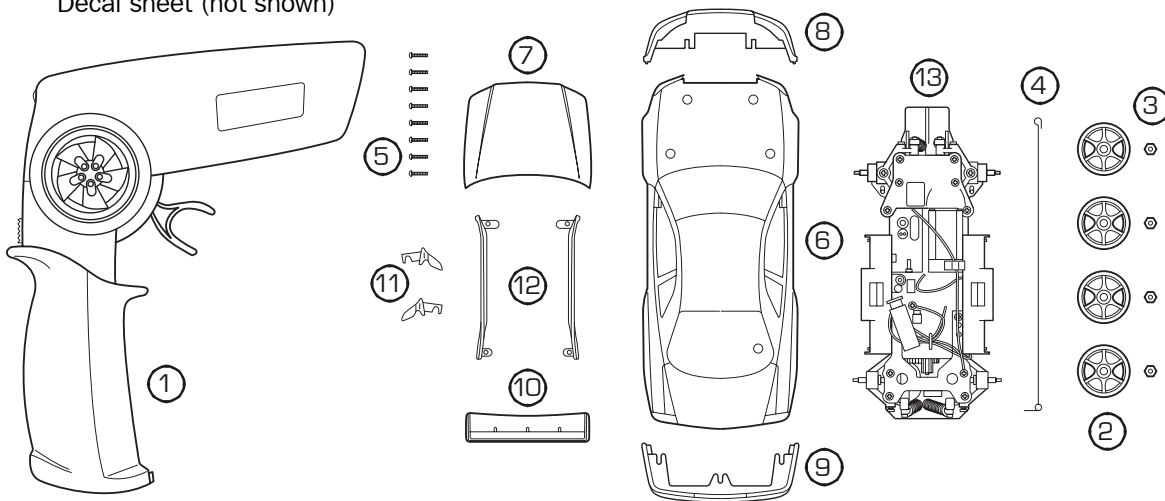
www.xmodsRC.com



Your Starter Kit Includes

- ① Controller w/antenna
- ② Wheels w/Tires (4)
- ③ Wheel nuts (4)
- ④ Car antenna
- ⑤ Screws (quantity varies by body style)
- ⑥ Car Body
- ⑦ Hood
- ⑧ Front bumper
- ⑨ Rear bumper
- ⑩ Rear spoiler*
- ⑪ Left and right side mirrors
- ⑫ Left and right side skirts
- ⑬ Car chassis
- Lug wrench (not shown)
- Screwdriver (not shown)

Decal sheet (not shown)



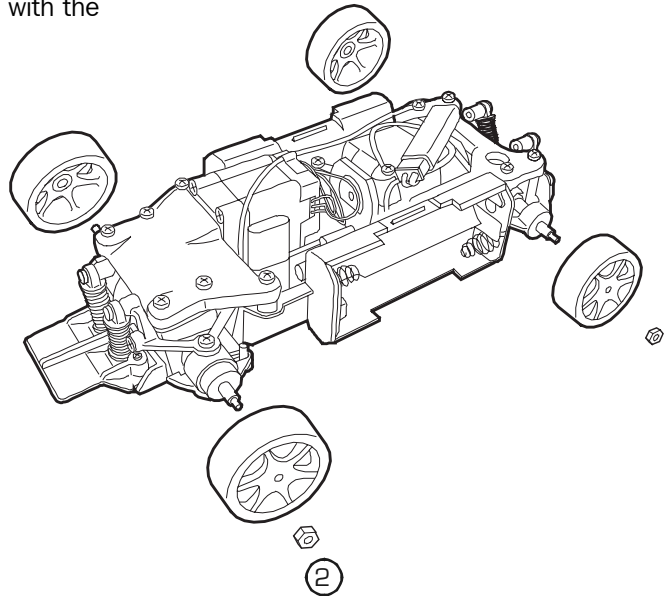
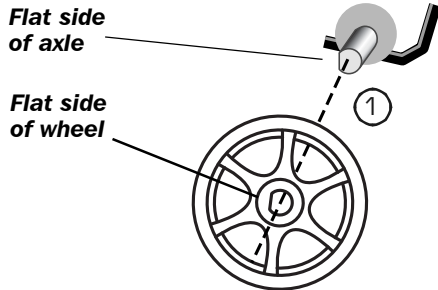
*not available on Acura RSX and Honda Civic models



Assembling Your XMODS Custom RC

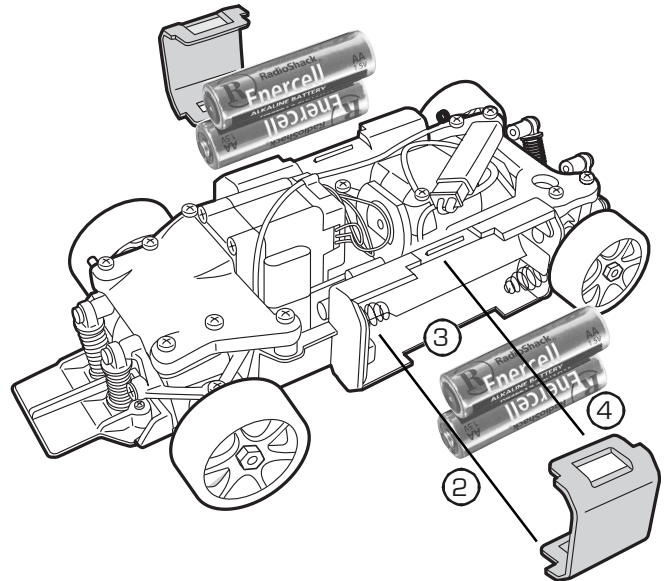
Assembling the Wheels

- 1) Align the flat side of the wheel with the flat side of the axle and slide the wheel onto the same axle.
- 2) Screw the nut onto the axle and tighten with the supplied lug wrench.
- 3) Repeat steps 1 and 2 for each wheel.



Installing Batteries in the Chassis

- 1) Make sure the power switch on the bottom of the chassis is in the off (rear) position.
- 2) Unsnap the battery compartment covers on the left and right sides.
- 3) Place two AAA alkaline or rechargeable* batteries in the left and right compartments, according to the polarity symbols (+ and -) marked inside.
- 4) Snap the battery covers back in place.



* Pick up an optional battery charger kit with rechargeable AAA batteries (230-0350) at RadioShack.



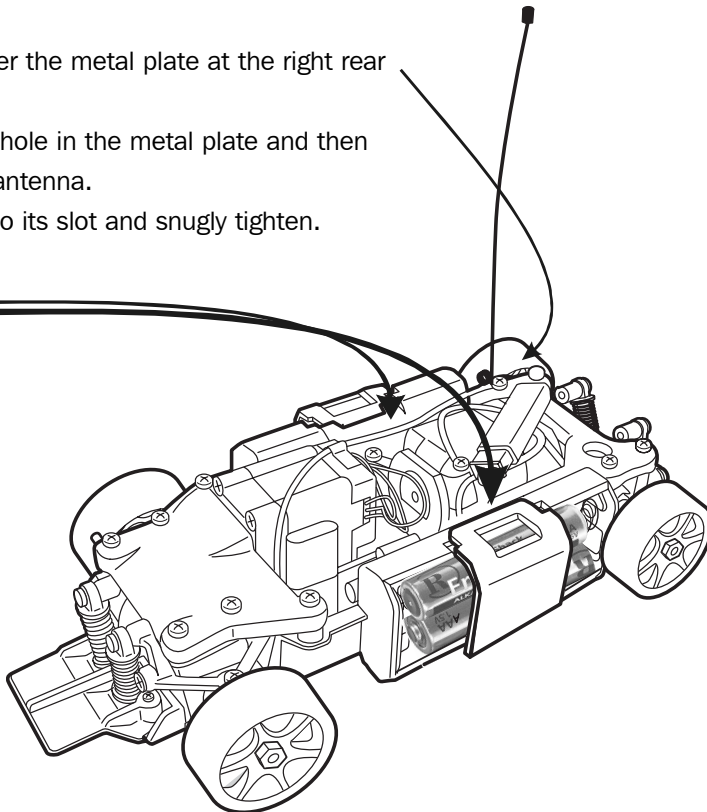
Assembling the Antenna

- 1) Unscrew and remove the screw over the metal plate at the right rear side of the chassis.
- 2) Push the screw through the screw hole in the metal plate and then the metal loop at the base of the antenna.
- 3) Thread the antenna screw back into its slot and snugly tighten.

Redistributing the Car's Weight

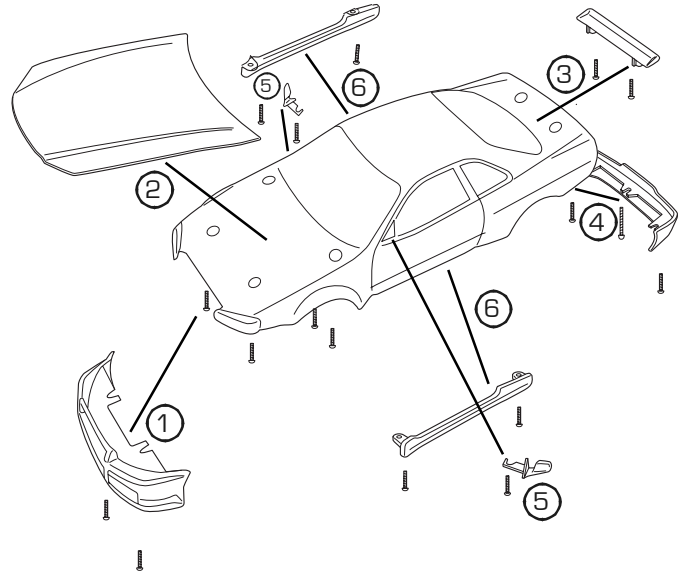
You can shift the weight of the batteries to alter your car's center of gravity for optimal handling during various driving conditions.

1. Unscrew the screws of the left and right battery compartments.
2. Slide the battery compartments to the desired position.
3. Set the screw in the front holes on each side and tighten until snug.



Assembling the Car Body

- 1) Align the front bumper under the front end and insert and snugly tighten two screws.
- 2) Align the hood to the front end and insert four screws from beneath and snugly tighten.
- 3) Align the rear spoiler* on top of the trunk and insert two screws from beneath the body and snugly tighten.
- 4) Align the rear bumper under the rear end and insert and snugly tighten the screws.
- 5) Insert the left side mirror into the driver's window and then insert one screw from beneath the body and snugly tighten. Repeat for the right side mirror.
- 6) Align the left side skirt beneath the body and insert and snugly tighten two screws. Repeat for the right side skirt.



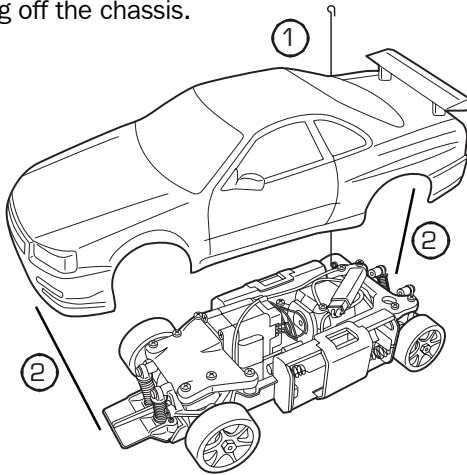
CAUTION: Overtightening the screws can damage the car.

*Spoiler not available with the Acura RSX and Honda Civic starter kits.

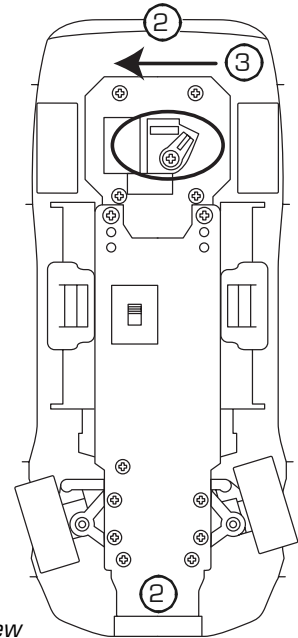


Mounting the Body on the Chassis

- 1) Guide the antenna through the antenna hole of the car body.
- 2) To attach the car body to the chassis, insert the nose of the chassis into the slot inside the front bumper. Lower the rear of the body so the Lock Clip enters the slot behind the rear axle and snaps over the chassis. (Note: You may need to push the chassis forward slightly for the clip to securely grip the chassis.)
- 3) Push the locking lever counterclockwise to keep the Lock Clip from slipping off the chassis.



Side View



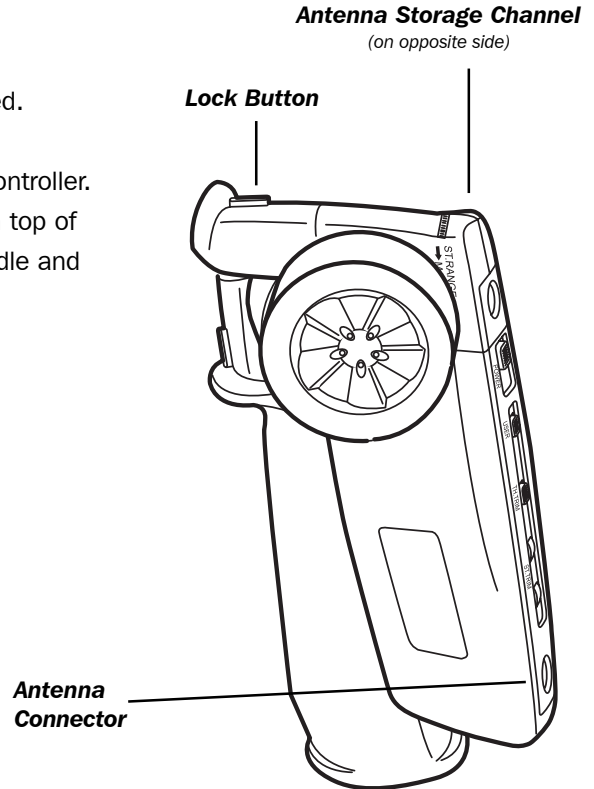
Bottom View



Setting Up the Controller

The controller controls your car's steering and speed.

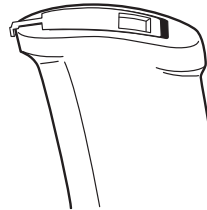
- 1) Unfold the controller.
- 2) Remove the antenna from its channel in the controller.
Thread antenna into the antenna connector on top of the controller at the end farthest from the handle and turn until snug.
- 3) Fully extend the antenna before driving.



Installing the Battery

You'll need to install a 9V battery. RadioShack recommends a 9V alkaline battery.

- 1) Make sure the power switch is in the off (rear) position and the controller is unfolded.
- 2) Place your finger in the battery compartment cover grip and slide until until the cover unlatches.
- 3) Place one 9V battery in the compartment according to the polarity symbols (+ and -) marked inside.
- 4) Replace the cover and snap it shut. (**Note:** You cannot shut the cover if the battery has been inserted incorrectly.)



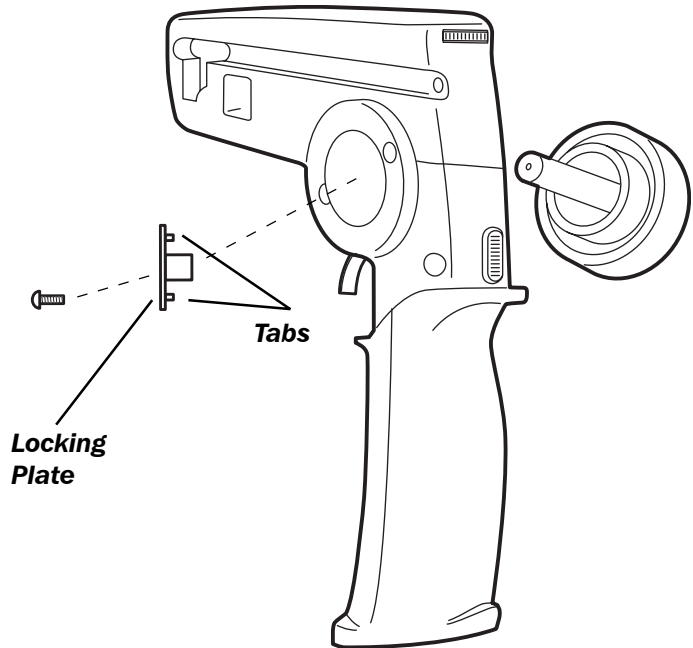
Battery Notes

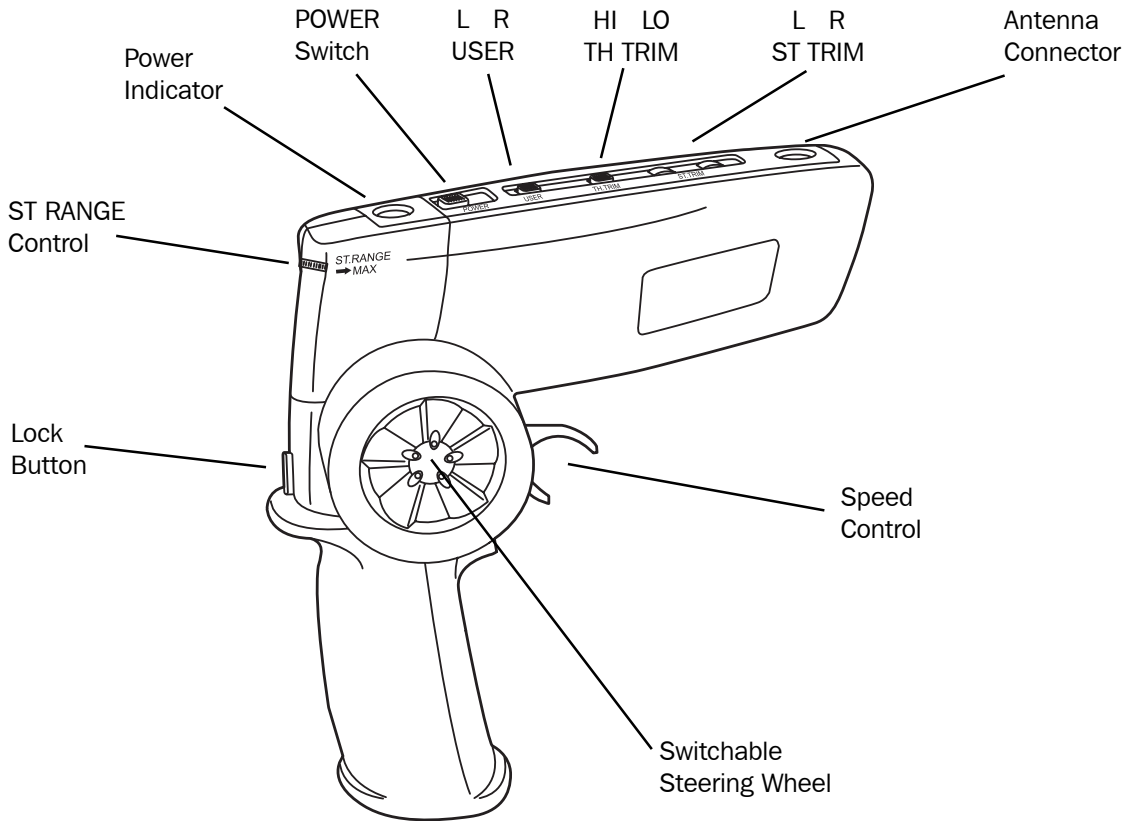
- When you notice the LED dims or the range of your car decreases, replace the battery.
- Dispose of old batteries promptly and properly.
- Do not burn or bury batteries.
- Use only fresh batteries of the required size and recommended type.
- Do not mix old and new batteries, different types of batteries (standard, alkaline, or rechargeable), or rechargeable batteries of different capacities.
- If you do not plan to use the vehicle for several days, remove the batteries. Batteries can leak chemicals that can destroy electronic parts.



Changing the Steering Control for the Left Hand

- 1) Unscrew the screw on the opposite side of the controller from the steering wheel.
- 2) Pull out the steering wheel and reinsert it on the other side, keeping the widest channel on the shaft in the bottom position.
- 3) Correctly align the three tabs on the inside of the face plate with the controller and then tighten the screw.
- 4) Set USER on top of the controller to L for left-handed steering.





Driving Your Car

After setting up your digital proportional controller (see pages 9 - 11), turn on your controller and car. The power switch is on the bottom of the chassis.

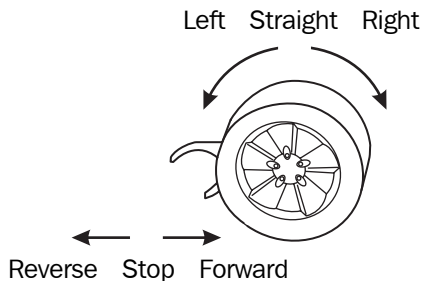
Steering Wheel

- Rotate left or right to steer
- Release to go straight

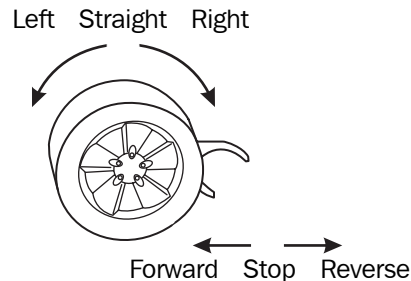
Speed Control

- Pull the trigger to move forward
- Push the trigger to move backward*
- Release the trigger to stop

LEFT-HANDED STEERING



RIGHT-HANDED STEERING



**Push trigger twice if car is already in forward motion.*



Brake

When you want to immediately stop the car's forward movement, push the trigger backwards. The electric brake activates and the vehicle stops immediately. Release the trigger, and push it again to start driving backward.

Steering Range

Set ST RANGE to adapt your car's steering angle to different track conditions. Set it to MAX (right) for sharper turns and to MIN (left) for looser turns.

Throttle Trim

Set TH TRIM on top of the controller to control your car's acceleration. Set it to LO for maximum maneuverability on a race track with lots of curves and HI for maximum speed.

Steering Trim

If your car does not drive straight when you release the steering wheel, adjust ST TRIM on top of the controller. Place the vehicle on a block or turn it over so the tires do not touch the ground. Turn the transmitter and vehicle on, and press L or R ST TRIM until the tires point directly forward. When you finish, turn off the vehicle and controller. (NOTE: ST TRIM will revert to the factory setting when the controller has been turned off.)



When You Finish Driving

- Slide the power switch on the controller to the off (rear) position and retract the controller's antenna.
- Slide the power switch on the bottom of the chassis to the off (rear) position.
- To store the controller, unscrew the antenna and place it in its channel in the controller, and then press the lock button to fold the controller.
- Make it a habit to remove the batteries from the vehicle.



Notes

- If your car's motor runs, but it does not respond to the controller, move closer to the car and try again.
- You cannot operate your car near devices with controllers that use the same frequency. See following frequency chart:
Nissan Skyline R34 V•spec(GF-BNR34) Band 1 26.995 MHz
Acura RSX Band 2 27.045 MHz
Honda Civic Coupe (black) Band 3 27.095 MHz
Honda Civic Coupe (blue) Band 4 27.145 MHz
Toyota Supra (white) Band 5 27.195 MHz
Toyota Supra (red) Band 6 27.255 MHz
- To compete with a friend who has the same vehicle as yours, you can change the frequency by changing the crystals in your car and controller. See “Optional Upgrade Kits.”
- If your car moves slowly after being charged, check the wheel mechanisms for lint, thread, hair or dust.
- CBs and other RC controllers could interfere with your ability to control your car. If this happens, increase the distance between the interfering devices until normal control of your vehicle resumes.
- If a static discharge causes your controller to become unresponsive, turn it off and then back on.



Optional Upgrade Kits

You can modify and personalize your XMODS car with optional motor upgrades, body kits, steering and suspension upgrades, and more. Check out the entire line of XMODS upgrades and accessories at RadioShack and online at www.xmodsRC.com.

Stage 1 Motor Upgrade (600-8501)

Change the speed and handling of your car with different combinations of motors and gears. This upgrade contains a set of four motors with different pitch gears.

Stage 2 Motor Upgrade (600-8502)

Discover the precise motor and gear combination for each racing condition with four high-speed motors to choose from. The heat sink helps prevent your motors from overheating.

Foam Tire and Wheel Upgrade (600-8503)

Enhance your racing and traction with foam tires and custom wheels (4 each).

Tire Upgrade (600-8504)

Adapt to a variety of driving conditions by choosing from four sets of tires with different hardnesses.

Suspension and Steering Upgrade (600-8505)

Fine tune your car's handling by upgrading the tie-rods, suspension springs, and dampers.

All Wheel Drive Upgrade (600-8506)

Increase your driving performance with all-wheel drive.



Racing Crystals (600-8507)

When paired with crystal bands 1 to 6, you can simultaneously race up to 12 XMODS by selecting a pair of matching crystals (transmitter and receiver) not used by other drivers in your race. Crystal sets available in bands 7 to 12.

Wheel Upgrade (600-8508)

Personalize the look of your car with a choice of three realistic wheel designs.

Command Logic™ Lights (600-8509)

Add realistic lighting to your vehicle with working LED head lights and tail lights.

Graphics and Decal Set (600-8511)

Decorate and customize your car with design trim, graphics and official logos.

Metal Bearing Upgrade (600-8512)

Enjoy the smoothest operation and reduced friction by upgrading to metal bearings on your custom RC.

Tool Kit (600-8519)

All the tools you need to upgrade your XMODS Custom RC.

Rechargeable NiMH Battery Upgrade (230-0350)

Save time and money over regular alkaline batteries with a battery charger and rechargeable AAA NiMH batteries.

Rally Touring Case (600-8520)

This messenger bag allows you to take your XMODS and accessories everywhere.

Body Kits (600-8513/8514/8515/8516/8517/8518)

Change the body of your XMODS with different bumpers, skirts, hoods, and spoilers — Honda Civic: 600-8513 and 600-8514; Acura RSX: 600-8515; Nissan Skyline: 600-8516; Toyota Supra: 600-8517 and 600-8518.



Care

Keep your XMODS dry; if it gets wet, wipe it dry immediately. Use and store your XMODS only in normal temperature environments. Running your XMODS continuously for long periods can generate high heat levels. Handle your XMODS carefully and do not drop it. Keep your XMODS away from dust and dirt - you can wipe it with a damp cloth occasionally to keep it looking new.

Modifying or tampering with your XMODS' internal components can cause a malfunction and might invalidate its warranty and void your FCC authorization to operate it. If your XMODS is not performing as it should, take both the car and the controller to your local RadioShack store for assistance.

The FCC Wants You to Know

This device complies with Part 15 of the FCC Rules. Operation is subject to the following two conditions: 1) This device may not cause harmful interference, and 2) this device must accept any interference received, including interference that may cause undesired operation,

Note: This equipment has been tested and found to comply with the limits for a Class B digital device, pursuant to Part 15 of the FCC Rules. These limits are designed to provide reasonable protection against harmful interference in a residential installation. This equipment generates, uses and can radiate radio frequency energy and, if not installed and used in accordance with the instructions, may cause harmful interference to radio communications. However, there is no guarantee that interference will not occur in a particular installation. If this equipment does cause harmful interference to radio or television reception, which can be determined by turning the equipment off and on the user is encouraged to try to correct the interference by one or more of the following measures:

- Reorient or relocate the receiving antenna.
- Increase the separation between the equipment and receiver.
- Connect the equipment into an outlet on a circuit different from that to which the receiver is needed.



If you experience problems with your car or transmitter, take it to your local RadioShack store for assistance or visit www.RadioShack.com to locate a store near you.

www.xmodsRC.com

Limited Ninety-Day Warranty

This product is warranted by RadioShack against manufacturing defects in material and workmanship under normal use for ninety (90) days from the date of purchase from RadioShack company-owned stores and authorized RadioShack franchisees and dealers. EXCEPT AS PROVIDED HEREIN, RadioShack MAKES NO EXPRESS WARRANTIES AND ANY IMPLIED WARRANTIES, INCLUDING THOSE OF MERCHANTABILITY AND FITNESS FOR A PARTICULAR PURPOSE, ARE LIMITED IN DURATION TO THE DURATION OF THE WRITTEN LIMITED WARRANTIES CONTAINED HEREIN. EXCEPT AS PROVIDED HEREIN, RadioShack SHALL HAVE NO LIABILITY OR RESPONSIBILITY TO CUSTOMER OR ANY OTHER PERSON OR ENTITY WITH RESPECT TO ANY LIABILITY, LOSS OR DAMAGE CAUSED DIRECTLY OR INDIRECTLY BY USE OR PERFORMANCE OF THE PRODUCT OR ARISING OUT OF ANY BREACH OF THIS WARRANTY, INCLUDING, BUT NOT LIMITED TO, ANY DAMAGES RESULTING FROM INCONVENIENCE, LOSS OF TIME, DATA, PROPERTY, REVENUE, OR PROFIT OR ANY INDIRECT, SPECIAL, INCIDENTAL, OR CONSEQUENTIAL DAMAGES, EVEN IF RadioShack HAS BEEN ADVISED OF THE POSSIBILITY OF SUCH DAMAGES. Some states do not allow limitations on how long an implied warranty lasts or the exclusion or limitation of incidental or consequential damages, so the above limitations or exclusions may not apply to you.

In the event of a product defect during the warranty period, take the product and the RadioShack sales receipt as proof of purchase date to any RadioShack store. RadioShack will, at its option, unless otherwise provided by law: (a) correct the defect by product repair without charge for parts and labor; (b) replace the product with one of the same or similar design; or (c) refund the purchase price. All replaced parts and products, and products on which a refund is made, become the property of RadioShack. New or reconditioned parts and products may be used in the performance of warranty service. Repaired or replaced parts and products are warranted for the remainder of the original warranty period. You will be charged for repair or replacement of the product made after the expiration of the warranty period.

This warranty does not cover: (a) damage or failure caused by or attributable to acts of God, abuse, accident, misuse, improper or abnormal usage, failure to follow instructions, improper installation or maintenance, alteration, lightning or other incidence of excess voltage or current; (b) any repairs other than those provided by a RadioShack Authorized Service Facility; (c) consumables such as fuses or batteries; (d) cosmetic damage; (e) transportation, shipping or insurance costs; or (f) costs of product removal, installation, set-up service adjustment or reinstallation. This warranty gives you specific legal rights, and you may also have other rights which vary from state to state.

RadioShack Customer Relations, 200 Taylor Street, 6th Floor, Fort Worth, TX 76102

12/99

